

# LC-3415-LCR

Three-Way, Tri-Amplified, Screen Speaker System

SCREEN SYSTEMS



## KEY FEATURES

- Ultra-long magnet design effectively reduces the voice coil current and distortion. This in turn improves the speaker's efficiency and power, delivering a higher SPL and a clean, powerful sound.
- Three-way design improving intelligibility of dialogue compared to conventional two-way speaker systems.
- Horn loaded Mid and tweeter section features an optimized aperture for ultra-low distortion, and extremely uniform frequency response.
- Ported reflex enclosure design delivers clean bass with minimal distortion at high SPL

vDesigned for high end cinema applications that demand the best high resolution audio re-production.

## DESCRIPTION

Our flagship LC-3415-LCR is a high resolution three-way tri-amplified screen speaker system. LNC's latest technical innovations are integrated into this screen speaker system. Featuring an optimized aperture waveguide, maximum power handling along with extremely low distortion. This screen system provides seamless transitions between screen speakers and is well suited for baffled wall applications.

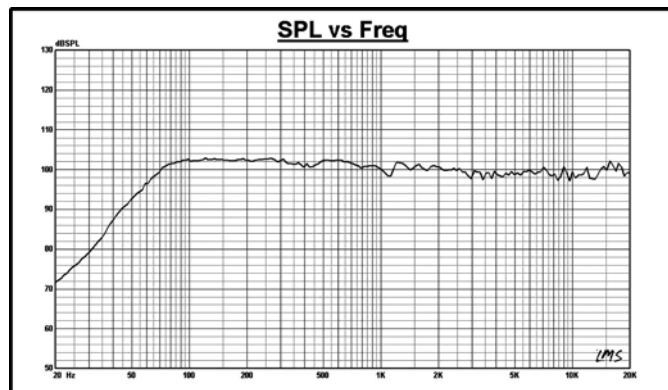
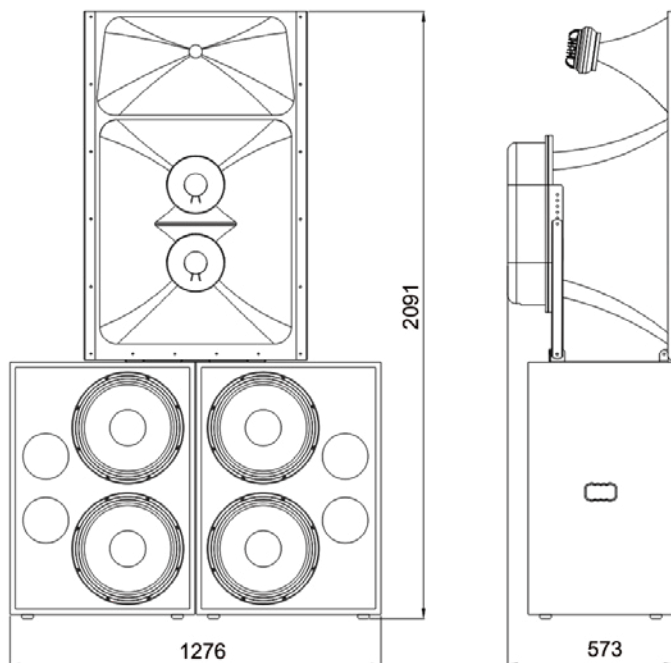
## SPECIFICATION

### LC-3415A-LCR

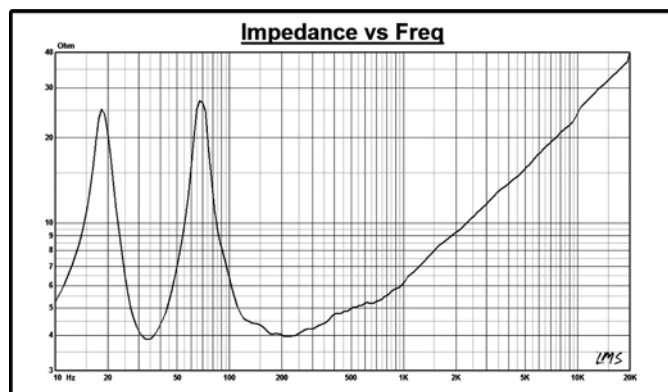
BASS:	4 x 15" LF Drivers
MID:	2 x 10" MF Drivers
HORN:	1 x 4" Compression HF Driver
POWER:	3200W (LF Drivers) / 400w (MF Drivers) / 120w (HF Driver)
SENSITIVITY (2.83v/1m):	103dB (LF Drivers) / 101dB (MF Drivers) / 110 dB (HF Drivers)
IMPEDANCE:	LF: 4Ω / MF: 4Ω / HF: 8Ω
MAX PEAK OUTPUT:	LF: 138dB / MF: 135dB / HF: 137dB
CROSSOVER:	250Hz (Active) / 1.2kHz (Active)
COVERAGE (HxV)	90°x 50°
FREQUENCY RESPONSE:	35Hz - 20kHz (Bi-Amped)
DIMENSION (WxHxD):	1276 x 2091 x 573mm
WEIGHT:	162kg

## DIMENSIONS

Dimensions in mm



Frequency Response



Impedance